

# INSTALLATION INSTRUCTIONS

## **CUSTOMER SERVICE**

Phone: 866-900-8800 • 8:30 am - 5:00 pm Mon - Fri CST

Email: [info@undercoverinfo.com](mailto:info@undercoverinfo.com)



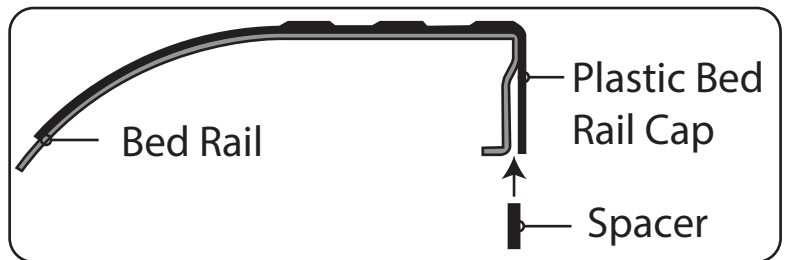
# MODEL SPECIFIC GUIDE

HIDDEN HINGE VERSION

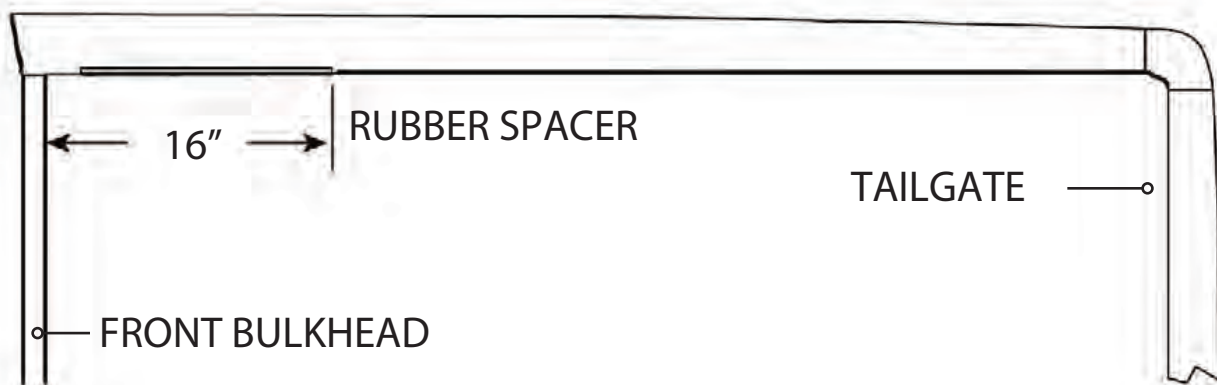
1166

## Model 1166 Chevy Colorado/ GMC Canyon Crew Cab 6' Short Bed 2015-2022

**Note:** The hardware kit for this truck includes 4 rubber spacers. These rubber spacers are to be placed between the plastic bed rail cap and the bed rail prior to installing the front brackets and attach according to the diagram below. The placement of the rubber spacers for the rear brackets will install in between the 2 rear clamp locations on the rear brackets and placed in between the plastic bed rail cap and bed rail prior to installing the rear brackets according to the drawing below.



### TOP VIEW PASSENGER SIDE



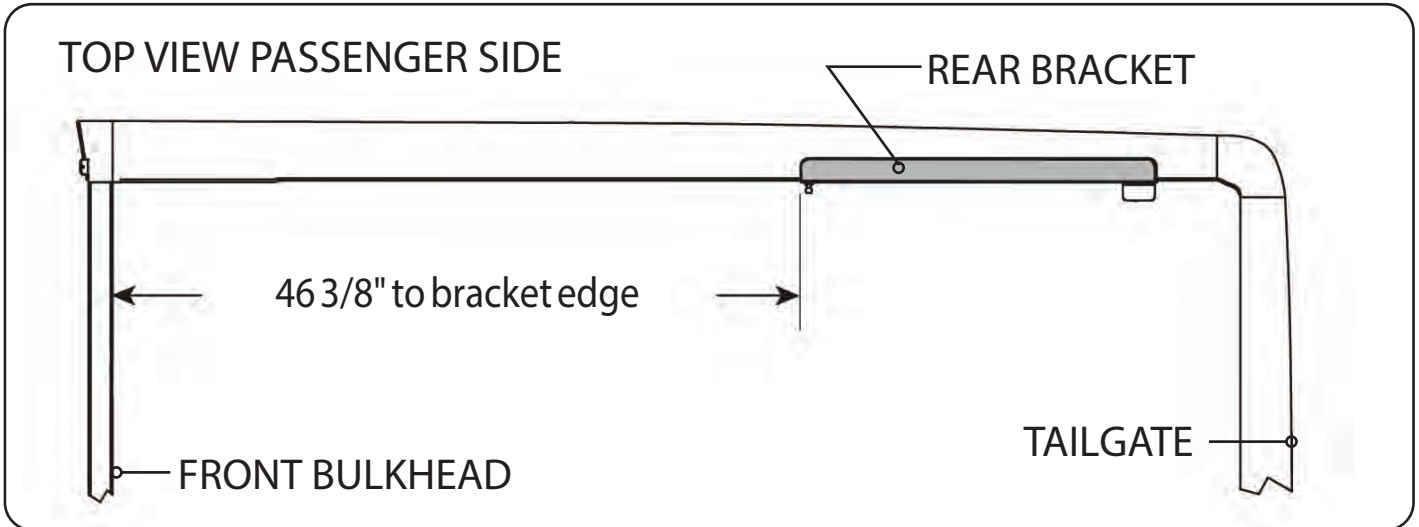


# MODEL SPECIFIC GUIDE HIDDEN HINGE VERSION

## Model 1166 Colorado/ Canyon 6' Short Bed 2015-2022

### RE: Step 2 on the Quick Start Guide

Measurement for the rear mounting bracket is 46 3/8" from the back side of the bulkhead to the front edge of the bracket.



### RE: Step 3 on the Quick Start Guide

Measurement for the front mounting bracket is 16 1/4" from the back side of the bulkhead to the end of the bracket.

The fit of the cover to the truck bed is determined by the front mounting brackets. This measurement is a good starting point. Unfortunately not all truck beds are assembled 100% square, so some adjustments may be necessary after the cover is set on the truck.

